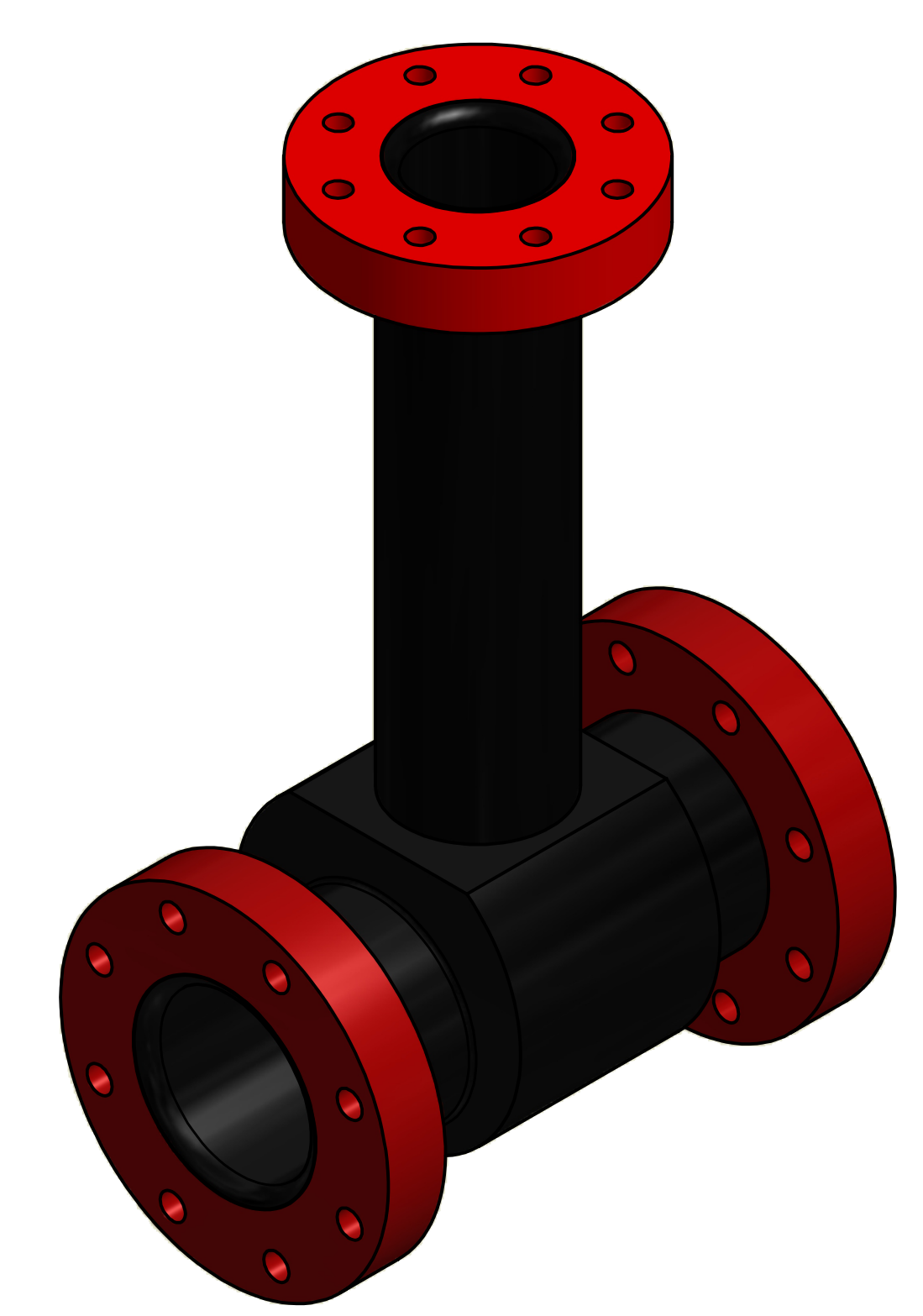
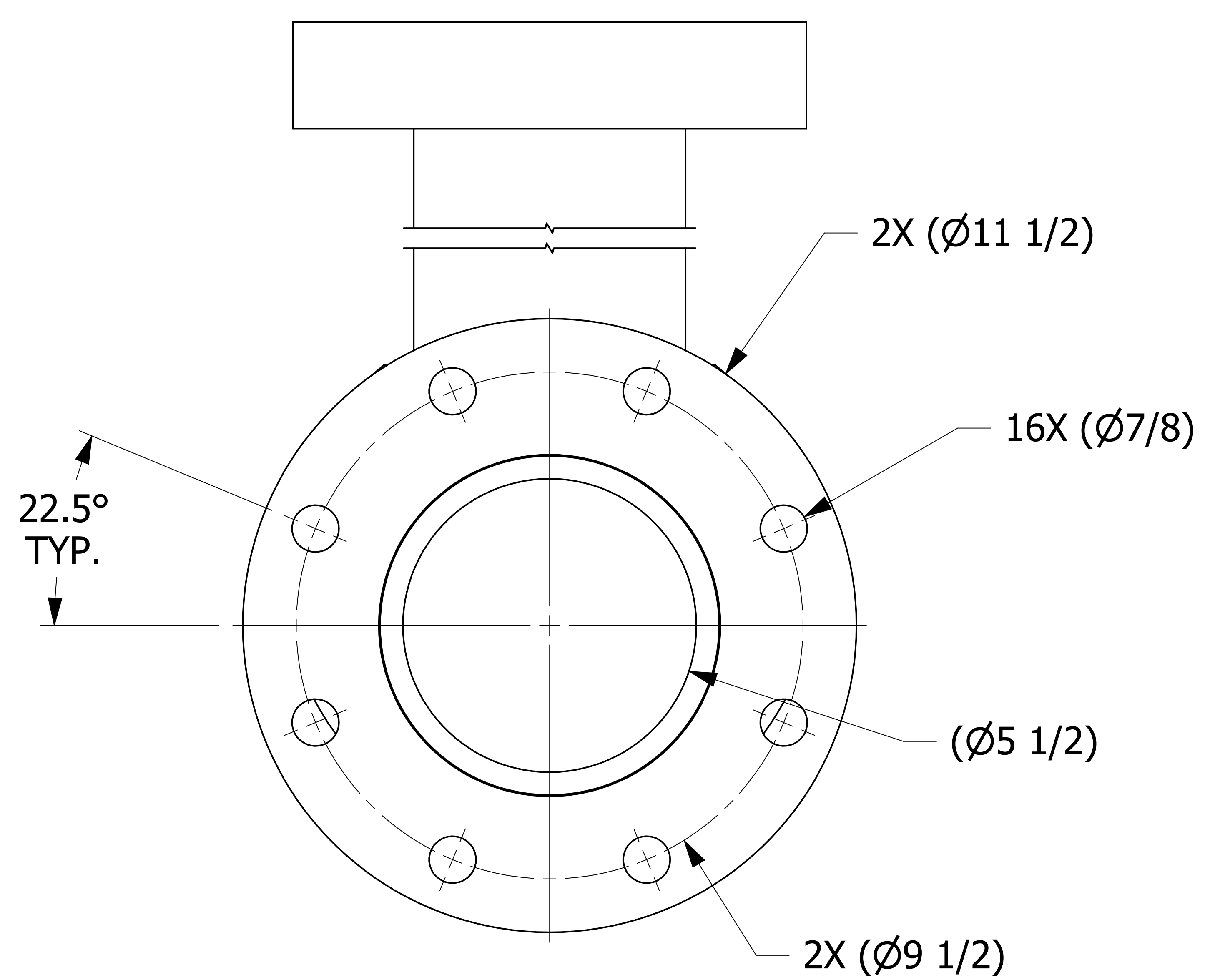
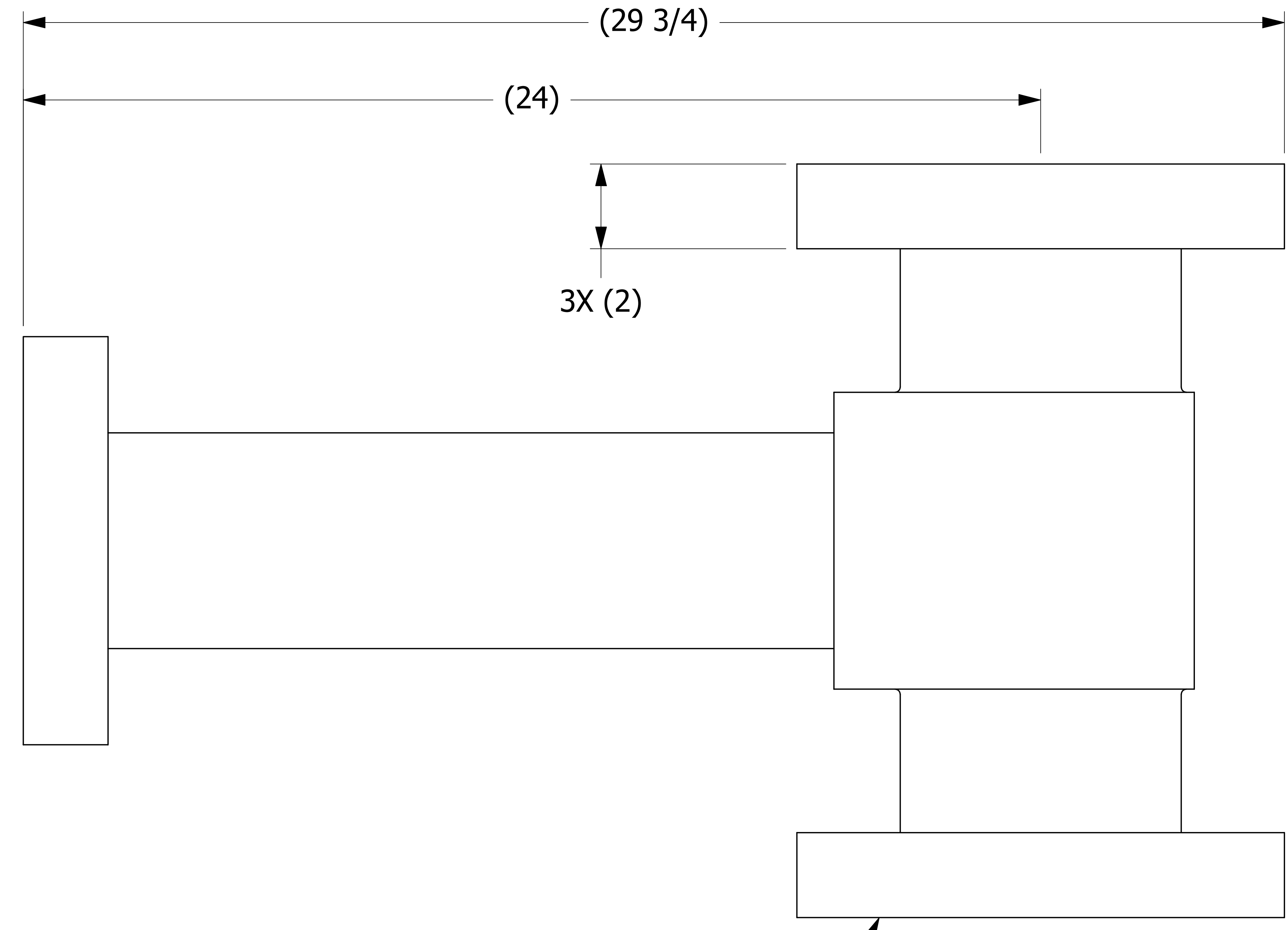
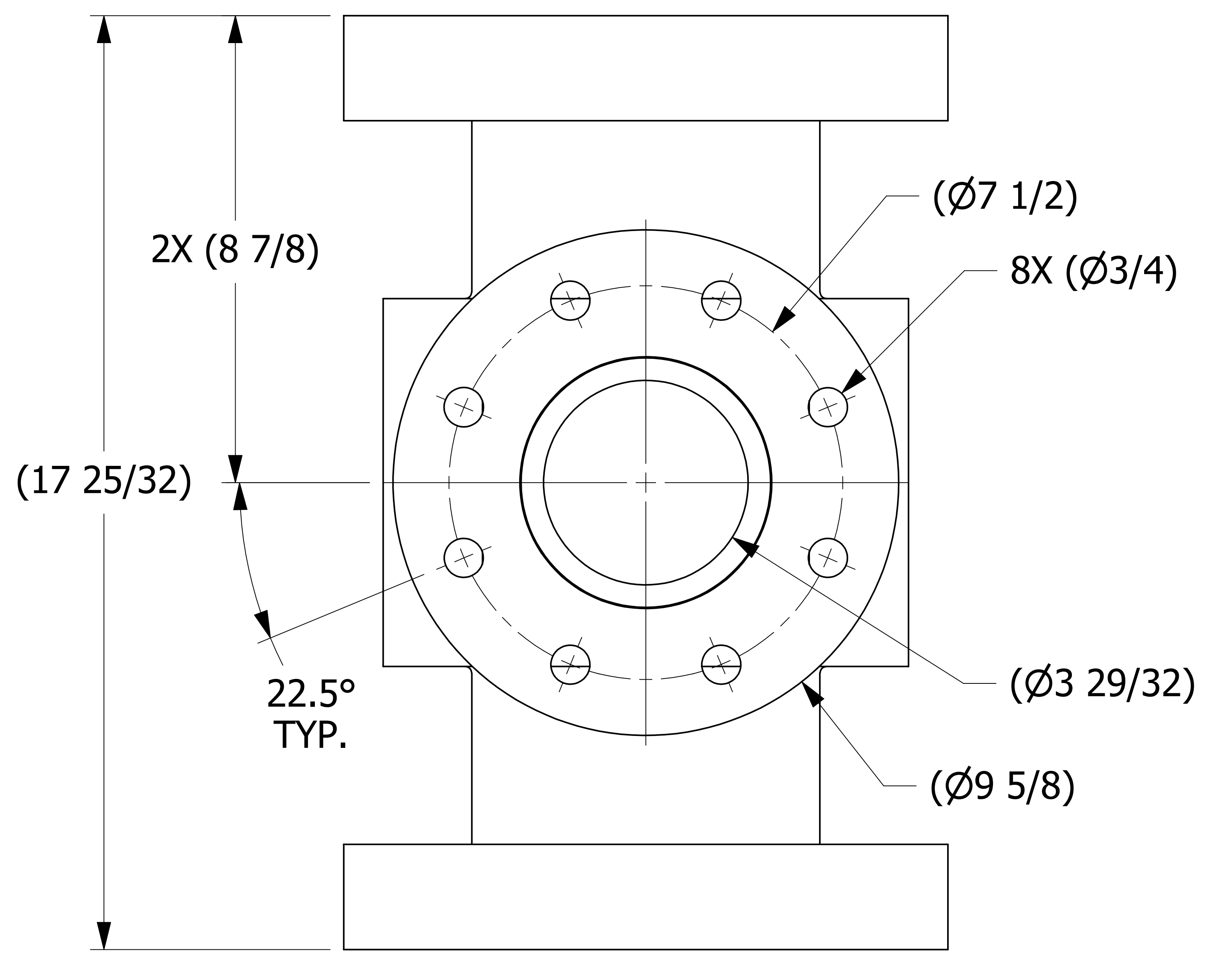


SALES DRAWING SALES DRAWING

SALES DRAWING SALES DRAWING



ISOMETRIC VIEW

SERRATED
GASKET
SURFACE
(3 PLACES)

NOTE:
SOLD TO WORLEY WELDING ONLY.

B	TAK	4-10-14	UPDATED HS6X4PTB3, OAL WAS 18 3/16"
A	TAK	5-9-13	RELEASED FOR PRODUCTION
REV	BY	DATE	DESCRIPTION

UNLESS OTHERWISE SPECIFIED DIMENSIONAL TOLERANCES FRACTIONAL: ±1/16 X.XX: ±.03 X.XXX: ±.015 ANGULAR: ±1° DEBURR ALL SHARP EDGES. ALL MACHINED SURFACES TO HAVE A 125 RMS FINISH UNLESS NOTED OTHERWISE. THIRD ANGLE PROJECTION	DRAWN BY:	WEB
	CHECKED BY:	CHL
	PROTOTYPE BY:	WEB
	PROTOTYPE DATE:	1/2/2013
	APPROVED FOR PRODUCTION BY:	CHL
	PRODUCTION DATE:	5/9/2013

SALCO PRODUCTS, INC.		
PART NAME: PIPE TEE 6" X 4"		
MATERIAL: SALCO PE		
PROJECT #:	SHEET #:	SCALE:
121220	1 OF 1	2:3
DRAWING #:	PART #:	
E35022	HS6X4PT3	

THIS PRINT, PROPERTY OF SALCO PRODUCTS INC. CONTAINS PROPRIETARY INFORMATION AND MUST NOT BE COPIED, REPRODUCED, OR USED DETRIMENTALLY TO OUR INTEREST.